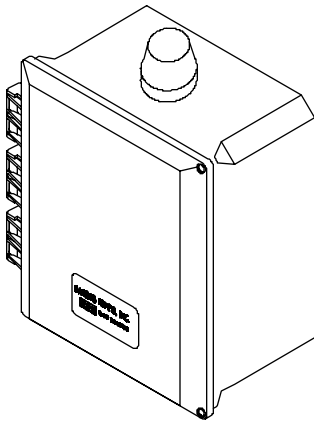


# BARNES<sup>®</sup> CONTROL PANELS

Single Phase, Simplex  
120/208/240 VAC

SECTION	D
PAGE	1
DATE	4/03
REPLACES	12/02



**Series: Simplex**  
**P/N: 106480 thru 106482**



The Simplex controls are supplied in a Nema 4X weathertight thermoplastic enclosure with removable mounting flanges for indoor/outdoor mounting.

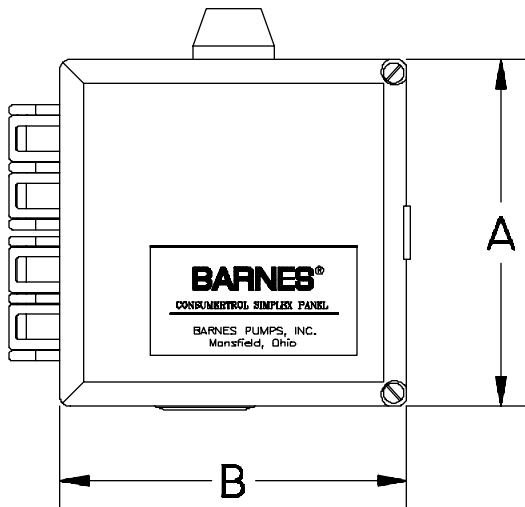
Each will contain a two pole, amperage rated magnetic motor contactor for pump control and a circuit breaker for pump disconnects and branch circuit protection. A hand-off-automatic switch is provided for manual operation of the pump. Pump run, control power, and alarm power indicators are provided with separate control and alarm fuses.

Terminal blocks are provided for customer connection of power, pump leads, and level switches or other pilot controls.

The Alarm package includes a top mounted, red beacon for 360° visual checks and a horn for audio warning of alarm conditions. A test-normal-silence switch is provided for testing of the alarm and silencing of the horn. A horn silence relay automatically resets the alarm horn after alarm condition has been resolved.

PART NO.	PUMP FULL LOAD AMPS	CIRCUIT BREAKER	CONTACTOR	PH
106480	0 - 7	2 Pole, 15 Amp	2 Pole, 20 Amp	1
106481	7 - 15	2 Pole, 20 Amp	2 Pole, 20 Amp	1
106482	15 - 20	2 Pole, 30 Amp	2 Pole, 30 Amp	1

inches  
(mm)



A - Hight	B - Width	C - Depth
8 (203)	8 (203)	4 (102)



## PUMPS & SYSTEMS

A Crane Co. Company

1485 Lexington Ave.  
Mansfield, Ohio 44907-2674  
Ph: (937) 778-8947  
Fax: (419) 774-1530  
www.barnespumps.com

420 Third Street/P.O. Box 603  
Piqua, Ohio 45356-0603  
Ph: (937) 778-8947  
Fax: (937) 773-7157  
www.cranepumps.com

83 West Drive  
Brampton, Ontario  
Canada L6T 2J6  
Ph: (905) 457-6223  
Fax: (905) 457-2650