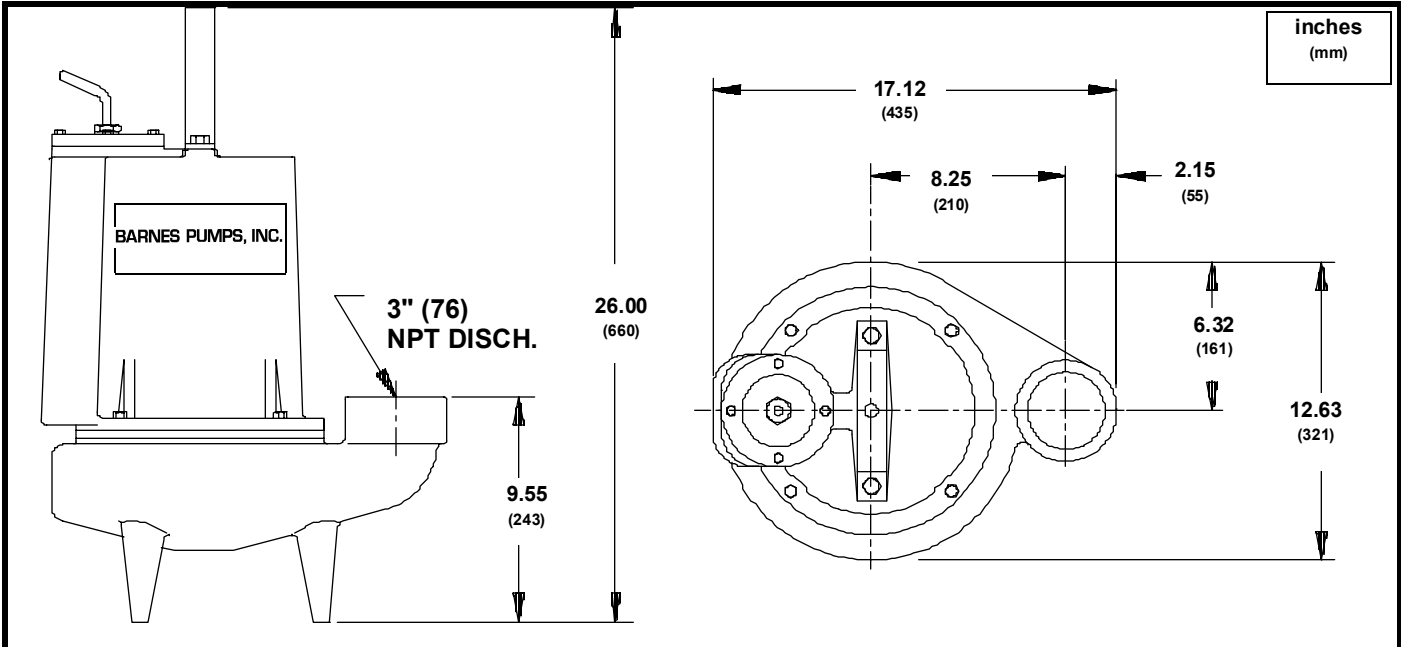


SECTION	C
PAGE	40
DATE	12/02
REPLACES	7/01



MODEL NO.	PART NO.	HP	VOLT	PH	RPM (NOM)	NEMA START CODE	FULL LOAD AMPS	LOCKED ROTOR AMPS	CORD SIZE	CORD TYPE	CORD O.D. inch (mm)
3SE3024L	088799	3.0	230	1	1750	A	28.0	59.0	10/3	SOW	0.690 (17.5)
3SE3034L	088800	3.0	230	3	1750	D	19.0	56.0	10/4	SOW	0.750 (19.1)
3SE3044L	088801	3.0	460	3	1750	D	9.0	28.0	10/4	SOW	0.750 (19.1)
3SE3054L	088802	3.0	575	3	1750	E	8.3	23.0	10/4	SOW	0.750 (19.1)

Optional Temperature sensor cable for 3 phase models is 14/2 SOW, 0.530 (13.5mm) OD.

IMPORTANT !

- 1.) PUMP MAY BE OPERATED "DRY" FOR EXTENDED PERIODS WITHOUT DAMAGE TO MOTOR AND/OR SEALS.
- 2.) THIS PUMP IS APPROPRIATE FOR THOSE APPLICATIONS SPECIFIED AS CLASS I DIVISION II HAZARDOUS LOCATIONS.
- 3.) THIS PUMP IS **NOT** APPROPRIATE FOR THOSE APPLICATIONS SPECIFIED AS CLASS I DIVISION I HAZARDOUS LOCATIONS.
- 4.) INSTALLATIONS SUCH AS DECORATIVE FOUNTAINS OR WATER FEATURES PROVIDED FOR VISUAL ENJOYMENT MUST BE INSTALLED IN ACCORDANCE WITH THE NATIONAL ELECTRIC CODE ANSI/NFPA 70 AND/OR THE AUTHORITY HAVING JURISDICTION. THIS PUMP IS NOT INTENDED FOR USE IN SWIMMING POOLS, RECREATIONAL WATER PARKS, OR INSTALLATIONS IN WHICH HUMAN CONTACT WITH PUMPED MEDIA IS A COMMON OCCURRENCE.



A Crane Co. Company

PUMPS & SYSTEMS

1485 Lexington Ave.
Mansfield, Ohio 44907-2674
Ph: (937) 778-8947
Fax: (419) 774-1530
www.barnespumps.com

420 Third Street/P.O. Box 603
Piqua, Ohio 45356-0603
Ph: (937) 778-8947
Fax: (937) 773-7157
www.cranepumps.com

83 West Drive
Brampton, Ontario
Canada L6T 2J6
Ph: (905) 457-6223
Fax: (905) 457-2650

