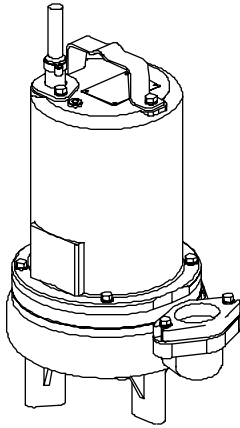


BARNES® 2SEV

SUBMERSIBLE NON-CLOG PUMPS

2" Spherical Solids Handling Vortex, Single Seal

SECTION	C
PAGE	13
DATE	2/03
REPLACES	12/02



Series: 2SEV 0.5, 0.75 & 1 HP
1750RPM, 60Hz



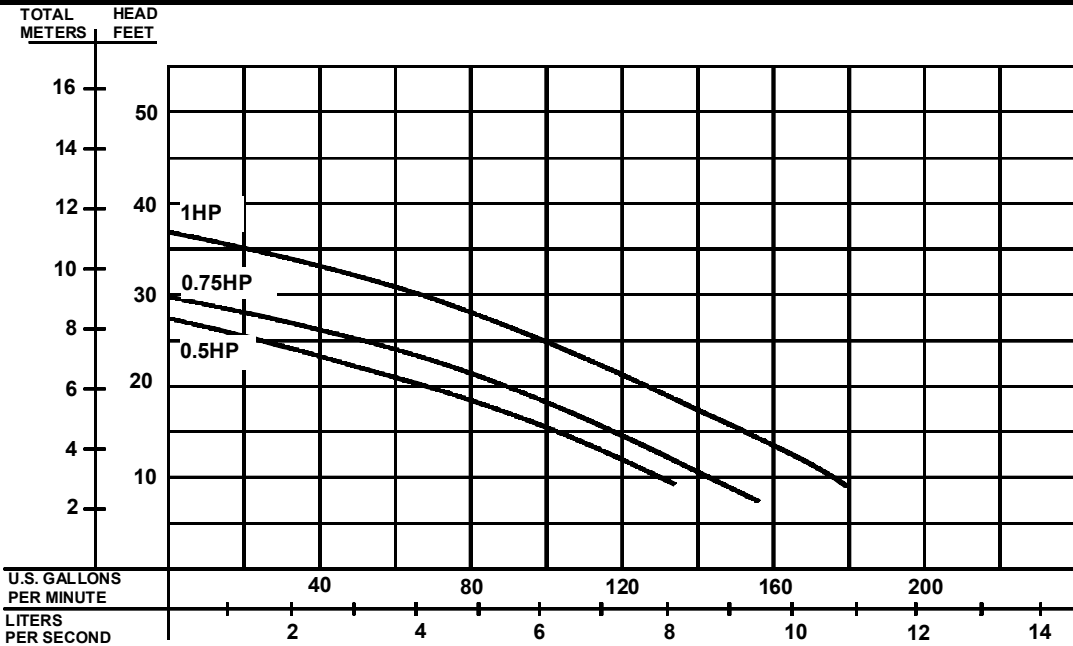
CSA 108 - File No. L16567
UL 778

NRTLIC

Description:

SUBMERSIBLE NON-CLOG SEWAGE PUMP
DESIGNED FOR TYPICAL RAW SEWAGE
APPLICATIONS.

DISCHARGE: 2" (51mm) NPT, Vertical
LIQUID TEMPERATURE: 104°F (40°C) Continuous.
VOLUTE: Cast Iron ASTM A-48, Class 30.
MOTOR HOUSING: Cast Iron ASTM A-48, Class 30.
SEAL PLATE: Cast Iron ASTM A-48, Class 30.
IMPELLER: *Design:* Vortex, Open, w/Pump Out Vanes On Back Side. Dynamically Balanced, ISO G6.3.
Material: Cast Iron ASTM A-48, Class 30.
SHAFT: 416 Stainless Steel.
SQUARE RINGS: Buna-N
HARDWARE: 300 Series Stainless Steel.
PAINT: Air Dry Enamel.
SEAL: *Design:* Single Mechanical
Material: Carbon/Ceramic/Buna-N
Hardware - 300 Series Stainless Steel
CABLE ENTRY: 15 ft. (4.5M) Cord. Plug On 120Volt & .5HP, 240Volt, 1 Phase. Quick Connect, Custom Molded For sealing and strain relief.
UPPER BEARING: Single Row, Ball, Oil Lubricated
LOWER BEARING: Single Row, Ball, Oil Lubricated
MOTOR: *Design:* NEMA L-Single Phase,
NEMA B-Three Phase Torque Curve.
Completely Oil-Filled, Squirrel Cage Induction.
Insulation: Class B.
SINGLE PHASE: Permanent Split Capacitor (PSC). Includes Overload Protection In Motor. 200-240/480 Tri Voltage. 600V.
THREE PHASE: Requires Overload Protection to be Included in Control Panel.
OPTIONAL EQUIPMENT: Seal Material, Impeller Trims, Additional Cable, N/C Temperature sensor with cable for 3 phase pumps (requires relay in control panel).



Testing is performed with water, specific gravity of 1.0 @ 68° F (20°C), other fluids may vary performance.



PUMPS & SYSTEMS

A Crane Co. Company

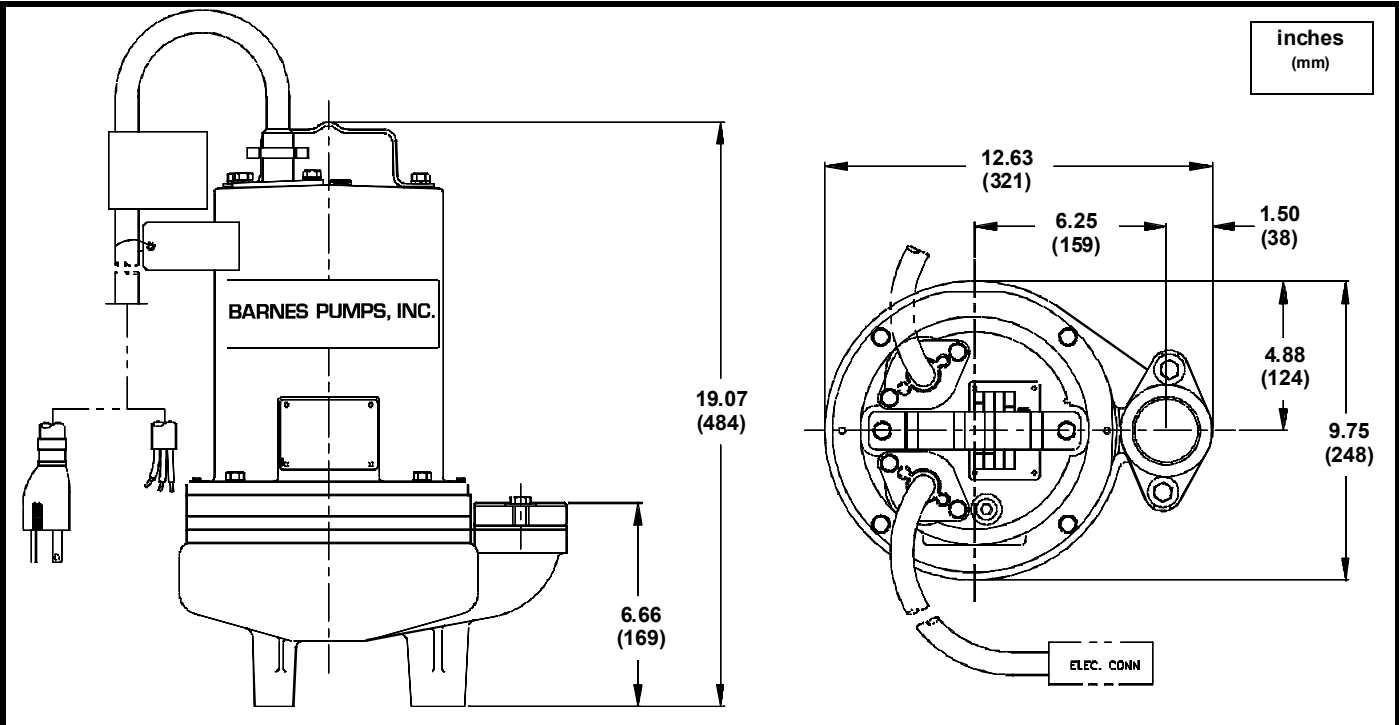
1485 Lexington Ave.
Mansfield, Ohio 44907-2674
Ph: (937) 778-8947
Fax: (419) 774-1530
www.barnespumps.com

420 Third Street/P.O. Box 603
Piqua, Ohio 45356-0603
Ph: (937) 778-8947
Fax: (937) 773-7157
www.cranepumps.com

83 West Drive
Brampton, Ontario
Canada L6T 2J6
Ph: (905) 457-6223
Fax: (905) 457-2650



SECTION	C
PAGE	14
DATE	12/02
REPLACES	3/02



MODEL NO.	PART NO.	HP	VOLT	PH	RPM (NOM)	NEMA START CODE	FULL LOAD AMPS	LOCKED ROTOR AMPS	CORD SIZE	CORD TYPE	CORD O.D. inch (mm)
2SEV514L	104918	0.5	120	1	1750	F	12.0	21.3	14/3	SJTOW	0.375 (9.5)
2SEV524L	104919	0.5	240	1	1750	J	6.3	14.9	14/3	SOW	0.530 (13.5)
2SEV594L	104920	0.5	200/240	3	1750	H/L	3.7/3.8	9.8/11.0	14/4	SOW	0.570 (14.5)
2SEV544L	104921	0.5	480	3	1750	K	1.9	5.3	14/4	SOW	0.570 (14.5)
2SEV554L	104922	0.5	600	3	1750	H	1.4	3.4	14/4	SOW	0.570 (14.5)
2SEV724L	104928	0.75	240	1	1750	K	7.1	25.8	14/3	SOW	0.530 (13.5)
2SEV794L	104929	0.75	200/240	3	1750	H/K	4.8/4.6	13.7/15.4	14/4	SOW	0.570 (14.5)
2SEV744L	104930	0.75	480	3	1750	K	2.3	7.7	14/4	SOW	0.570 (14.5)
2SEV754L	104931	0.75	600	3	1750	L	1.6	7.2	14/4	SOW	0.570 (14.5)
2SEV1024L	104936	1.0	240	1	1750	G	8.5	25.8	14/3	SOW	0.530 (13.5)
2SEV1094L	104937	1.0	200/240	3	1750	E/H	5.3/5.1	13.7/15.4	14/3	SOW	0.570 (14.5)
2SEV1044L	104938	1.0	480	3	1750	H	2.5	7.7	14/4	SOW	0.570 (14.5)
2SEV1054L	104939	1.0	600	3	1750	J	2.2	7.2	14/4	SOW	0.570 (14.5)

Optional - Temperature sensor cable for 3 phase models is 14/3 SOW, 0.530 (13.5mm) O.D.

IMPORTANT !

- 1.) PUMP MAY BE OPERATED "DRY" FOR EXTENDED PERIODS WITHOUT DAMAGE TO MOTOR AND/OR SEALS.
- 2.) THIS PUMP IS APPROPRIATE FOR THOSE APPLICATIONS SPECIFIED AS CLASS I DIVISION II HAZARDOUS LOCATIONS.
- 3.) THIS PUMP IS **NOT** APPROPRIATE FOR THOSE APPLICATIONS SPECIFIED AS CLASS I DIVISION I HAZARDOUS LOCATIONS.
- 4.) INSTALLATIONS SUCH AS DECORATIVE FOUNTAINS OR WATER FEATURES PROVIDED FOR VISUAL ENJOYMENT MUST BE INSTALLED IN ACCORDANCE WITH THE NATIONAL ELECTRIC CODE ANSI/NFPA 70 AND/OR THE AUTHORITY HAVING JURISDICTION. THIS PUMP IS NOT INTENDED FOR USE IN SWIMMING POOLS, RECREATIONAL WATER PARKS, OR INSTALLATIONS IN WHICH HUMAN CONTACT WITH PUMPED MEDIA IS A COMMON OCCURRENCE.



PUMPS & SYSTEMS

A Crane Co. Company

1485 Lexington Ave.
Mansfield, Ohio 44907-2674
Ph: (937) 778-8947
Fax: (419) 774-1530
www.barnespumps.com

420 Third Street/P.O. Box 603
Piqua, Ohio 45356-0603
Ph: (937) 778-8947
Fax: (937) 773-7157
www.cranepumps.com

83 West Drive
Brampton, Ontario
Canada L6T 2J6
Ph: (905) 457-6223
Fax: (905) 457-2650

