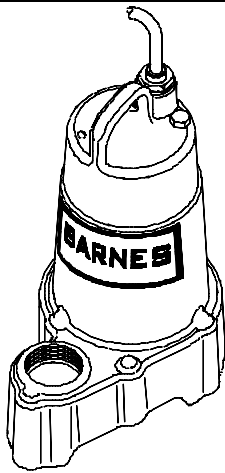


BARNES® SP33

Submersible Sump/Effluent Pumps Manual & Automatic 1/2" Spherical Solids Handling

| | |
|----------|------|
| SECTION | A |
| PAGE | 3 |
| DATE | 4/03 |
| REPLACES | 2/03 |



**Series: SP33, 1/3HP
3450 RPM, 60Hz**

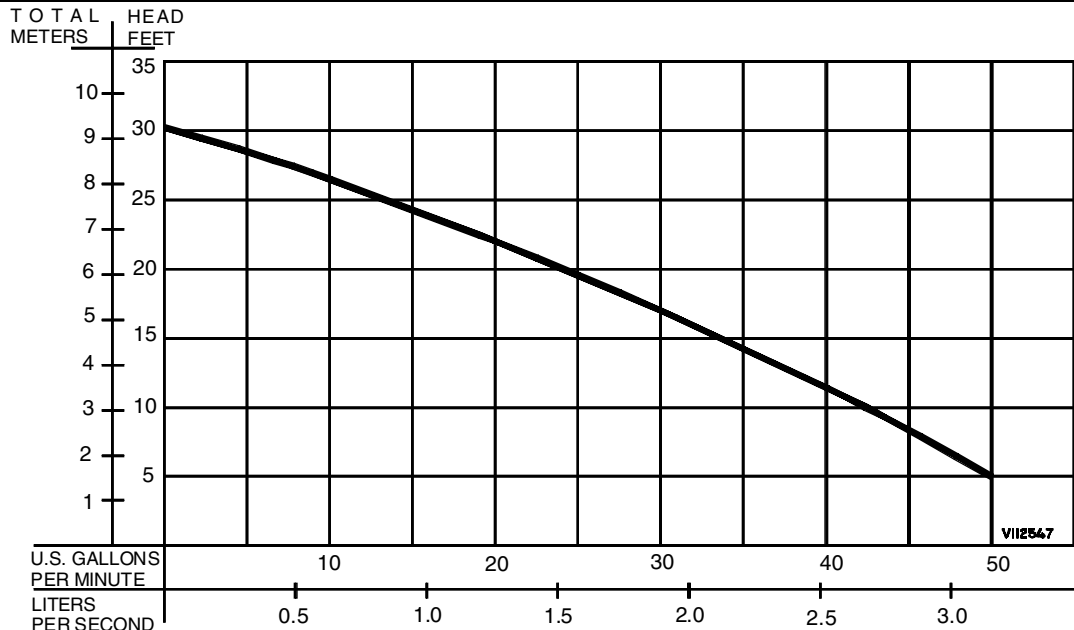


C US
CSA 108
UL 778
LR16567

Description:

GENERAL PURPOSE PUMP FOR RESIDENTIAL AND LIGHT INDUSTRIAL SUMP APPLICATIONS.

| | |
|----------------------------|--|
| DISCHARGE: | 1-1/2" N.P.T. Female, Vertical |
| LIQUID TEMPERATURE: | 104°F (40°C) Continuous |
| MOTOR HOUSING: | Cast Iron |
| PUMP STRAINER: | Thermoplastic. |
| IMPELLER: | <i>Design:</i> 10 Vane Vortex, with Pump Out Vanes on Back Side. Balanced, ISO G6.3. |
| | <i>Material:</i> Cast Iron |
| SHAFT: | Stainless Steel |
| O-RINGS: | Buna-N |
| HARDWARE: | 300 Series Stainless Steel |
| PAINT: | Air Dry Enamel |
| CABLE ENTRY: | 10 Ft. (3M) or 20Ft (6M) Cord with Plug and Pressure Grommet for Sealing and Strain Relief |
| SEAL: | <i>Design:</i> Single Mechanical, Type 21 |
| | <i>Material:</i> Rotating Faces - Silicon Carbide Stationary Faces - Silicon Carbide Elastomer - Buna-N Hardware - 300 Series Stainless |
| UPPER BEARING: | Single Row, Ball, Oil Lubricated |
| LOWER BEARING: | Single Row, Ball, Oil Lubricated |
| MOTOR: | <i>Design:</i> Oil-Filled. <i>Insulation:</i> Class B. |
| SINGLE PHASE: | Permanent Split Capacitor (PSC). Includes Thermal Overload Protection in Motor. |
| FLOAT: | SP33: None SP33A: Wide Angle, Mechanical, 10 Ft (3M) or 20 Ft (6M) Cable. SP33VF: Vertical Float, PVC, Snap Action, 10 Ft. (3M) or 20 Ft (6M) Cable. |
| MINIMUM SUMP DIA: | SP33A: 18" (457mm) SP33, SP33VF: 12" (305mm) |



Testing is performed with water, specific gravity of 1.0 @ 68° F (20°C), other fluids may vary performance.



A Crane Co. Company

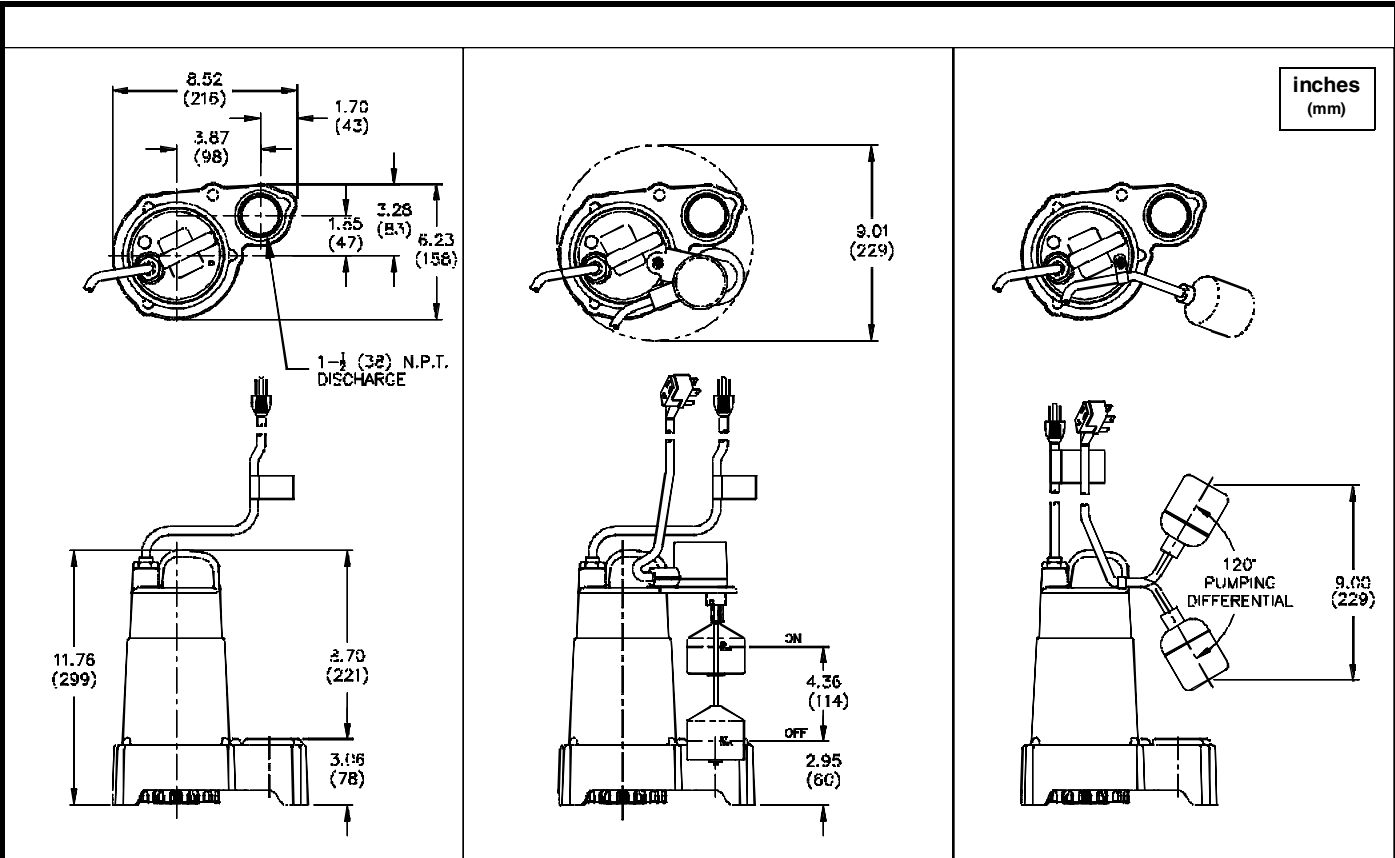
PUMPS & SYSTEMS

1485 Lexington Ave.
Mansfield, Ohio 44907-2674
Ph: (937) 778-8947
Fax: (419) 774-1530
www.barnespumps.com

420 Third Street/P.O. Box 603
Piqua, Ohio 45356-0603
Ph: (937) 778-8947
Fax: (937) 773-7157
www.cranepumps.com

83 West Drive
Brampton, Ontario
Canada L6T 2J6
Ph: (905) 457-6223
Fax: (905) 457-2650

| | |
|----------|-------|
| SECTION | A |
| PAGE | 4 |
| DATE | 2/03 |
| REPLACES | 12/02 |



Model: SP33

Model: SP33VF

Model: SP33A

| MODEL NO. | PART NO. | HP | VOLT | PH 60HZ | RPM (NOM) | NEMA START CODE | FULL LOAD AMPS | CORD LENGTH | CORD SIZE | CORD TYPE |
|-----------|----------|-----|------|---------|-----------|-----------------|----------------|-------------|-----------|-----------|
| SP33 | 112547 | 1/3 | 120 | 1 | 3450 | B | 5.8 | 10Ft. (3M) | 14/3 | SJTOW |
| SP33X | 112548 | 1/3 | 120 | 1 | 3450 | B | 5.8 | 20Ft. (6M) | 14/3 | SJTOW |
| SP33A | 112549 | 1/3 | 120 | 1 | 3450 | B | 5.8 | 10Ft. (3M) | 14/3 | SJTOW |
| SP33AX | 112550 | 1/3 | 120 | 1 | 3450 | B | 5.8 | 20Ft. (6M) | 14/3 | SJTOW |
| SP33VF | 112551 | 1/3 | 120 | 1 | 3450 | B | 5.8 | 10Ft. (3M) | 14/3 | SJTOW |
| SP33VFX | 112552 | 1/3 | 120 | 1 | 3450 | B | 5.8 | 20Ft. (6M) | 14/3 | SJTOW |

IMPORTANT !

- 1.) PUMP MAY BE OPERATED "DRY" FOR EXTENDED PERIODS WITHOUT DAMAGE TO MOTOR AND/OR SEALS.
- 2.) THIS PUMP IS APPROPRIATE FOR THOSE APPLICATIONS SPECIFIED AS CLASS I DIVISION II HAZARDOUS LOCATIONS.
- 3.) THIS PUMP IS **NOT** APPROPRIATE FOR THOSE APPLICATIONS SPECIFIED AS CLASS I DIVISION I HAZARDOUS LOCATIONS.
- 4.) INSTALLATIONS SUCH AS DECORATIVE FOUNTAINS OR WATER FEATURES PROVIDED FOR VISUAL ENJOYMENT MUST BE INSTALLED IN ACCORDANCE WITH THE NATIONAL ELECTRIC CODE ANSI/NFPA 70 AND/OR THE AUTHORITY HAVING JURISDICTION. THIS PUMP IS NOT INTENDED FOR USE IN SWIMMING POOLS, RECREATIONAL WATER PARKS, OR INSTALLATIONS IN WHICH HUMAN CONTACT WITH PUMPED MEDIA IS A COMMON OCCURRENCE.



PUMPS & SYSTEMS

A Crane Co. Company

1485 Lexington Ave.
Mansfield, Ohio 44907-2674
Ph: (937) 778-8947
Fax: (419) 774-1530
www.barnespumps.com

420 Third Street/P.O. Box 603
Piqua, Ohio 45356-0603
Ph: (937) 778-8947
Fax: (937) 773-7157
www.cranepumps.com

83 West Drive
Brampton, Ontario
Canada L6T 2J6
Ph: (905) 457-6223
Fax: (905) 457-2650