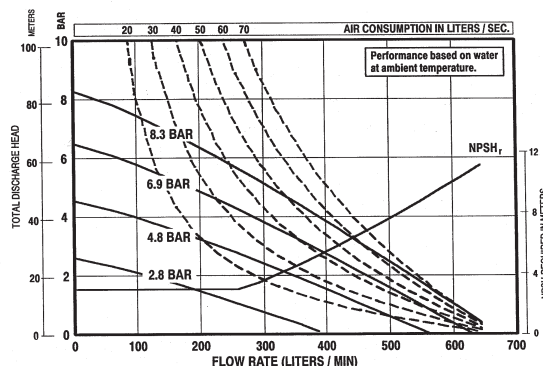
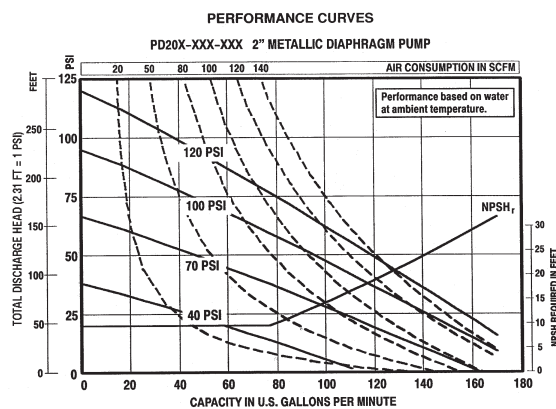


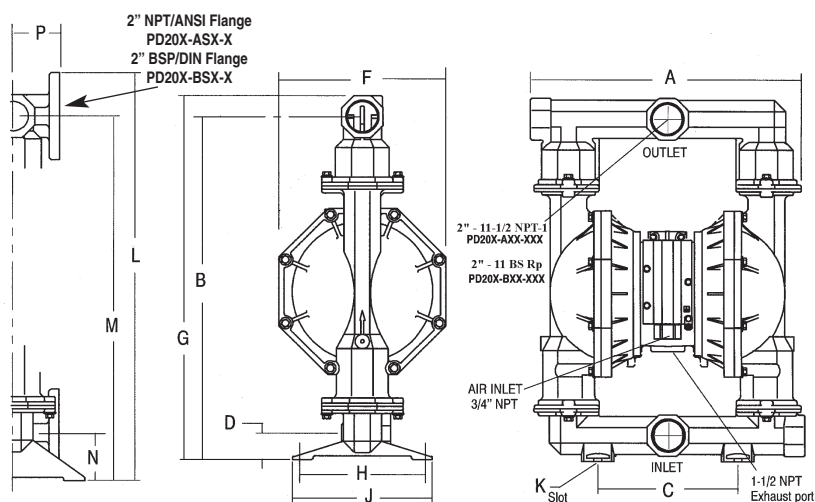
# Performance Specifications

<b>RATIO:</b>	1:1
<b>MAX. G.P.M. (LPM):</b>	170 (644)
<b>DISPLACEMENT GALLONS (Liters) PER CYCLE:</b>	1.4 (5.3)
<b>AIR INLET:</b>	3/4" NPTF (f)
<b>AIR EXHAUST:</b>	1-1/2" X 11 NPTF (f)
<b>FLUID INLET:</b>	2" NPTF (f), BSP (f) or Flange
<b>FLUID OUTLET:</b>	2" NPTF (f), BSP (f) or Flange
<b>MAX. OP. PRESSURE PSI (bar):</b>	120 (8.3)
<b>PASS SOLIDS MAX. DIA. IN. (mm):</b>	1/4 (6.4)
<b>WEIGHT LBS. (Kgs.):</b>	64 (29) Aluminum 133 (60) Cast Iron 154 (70) Stainless Steel (Note: add 34 lbs. (15 kg) for Stainless or Cast Iron Motor)
<b>MAX. DRY SUCTION LIFT:</b>	19 ft. (Rubber fitted)



# Dimensional Data

**Air Motor Muffler Now Included!** (Muffler Dimensions Not Shown)



**DIMENSIONS**

A 19-3/4" (502 mm)	F 12" (305 mm)	L 28-5/8" (727 mm)
B 24-3/4" (629 mm)	G 26-1/4" (667 mm)	M 25-5/8" (651 mm)
C 10-1/16" (256 mm)	H 9-1/16" (230 mm)	N 3-3/8" (86 mm)
D 1-7/8" (48 mm)	J 10-1/16" (256 mm)	P 2-1/4" (82.5 mm)
	K 9/16" (14 mm)	

# Accessories

**Recommended Filter-Regulator**  
(See Page 38)

**Filter / Regulator: P29241-610**

For complete airline connection kit, see page 34, item "B".  
Pulsation Dampener, see page 25.



P29241-610

For Diaphragm Pump Accessories see pages 34-36.

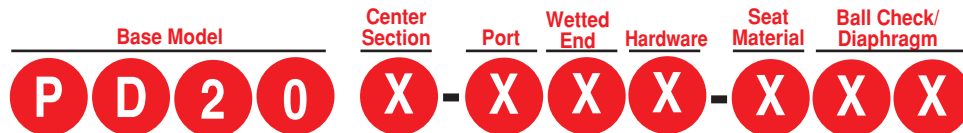
For recommended key models, refer to the ARO diaphragm pump price book (Form 2240-2). If the specific model you seek is not in the price book, consult the factory for further selection assistance.



Screened Inlet Kits Available. See Page 34.

# Ordering

**Best Selling Models | PD20A-AAP-GGG, PD20A-ACP-AAA, PD20A-ASP-KTT, PD20A-AAP-KTT, PD20A-ASP-AAA, PD20C-ASS-KTT**



<b>Base Model</b>	<b>Center Section</b>	<b>Port</b>	<b>Wetted End</b>	<b>Hardware</b>	<b>Seat Material</b>	<b>Ball Check/Diaphragm</b>
P D 2 0	X	X	X	X	X	X
2" Pump	A Aluminum C Cast Iron S 316 St. Steel	A NPT B BSP	A Aluminum C Cast Iron S 316 St. Steel	P Plated Steel S Stainless Steel	AA Santoprene/Santoprene GG Nitrile/Nitrile TT Teflon®/Teflon	

**NOTE:** Side Port option not available on Stainless Steel Models.

**IRARO** | One Aro Center I.P.O. Box 151 | Bryan, Ohio 43506-0151  
(419) 636-4242 | (419) 633-1674 Fax | www.arozone.com

A Santoprene
G Nitrile
H 440 SS Hardened
K Kynar (PVDF)
S 316 St. Steel

The most advanced process pump on the market

