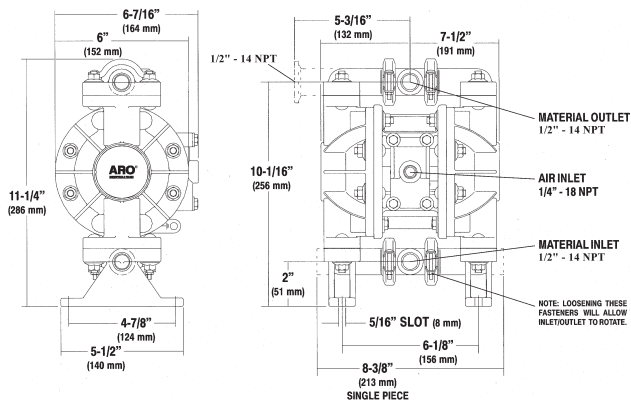


# Performance Specifications

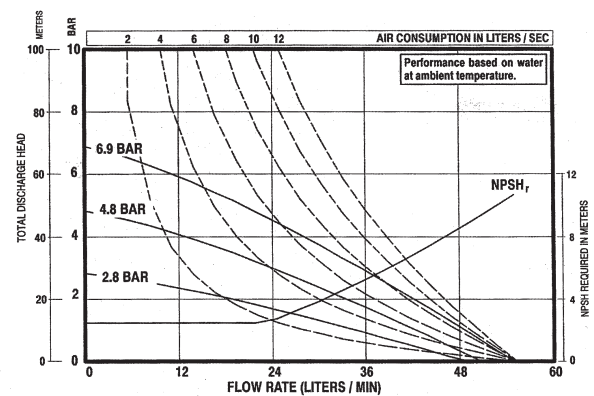
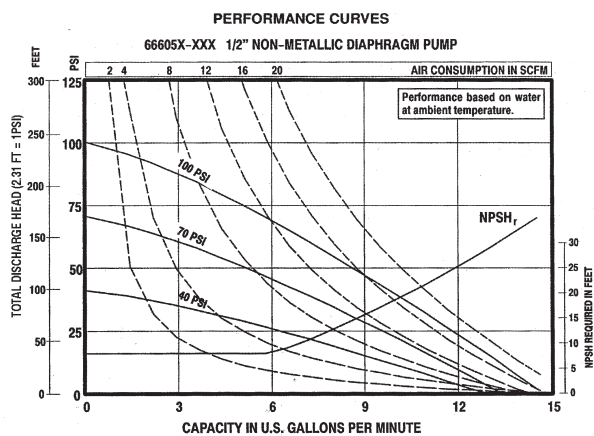
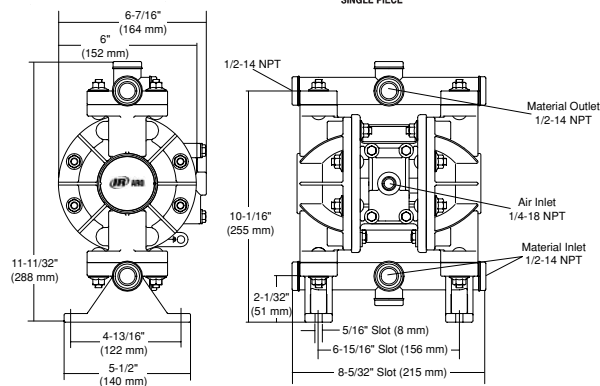
RATIO:	1:1
MAXIMUM G.P.M. (LPM):	13 (49) Ball 10 (37.9) Duckbill Check
DISPLACEMENT GALLONS (Liters) PER CYCLE:	.04 (.15) Ball .032 (.12) Duckbill Check
AIR INLET:	1/4"-18 NPTF (f)
FLUID INLET:	1/2"-14 NPTF (f)
FLUID OUTLET:	1/2"-14 NPTF (f)
MAX. OPERATING PRESSURE PSI (bar):	100 (6.9)
SUSPENDED SOLIDS MAX. DIA. IN. (mm):	3/32-inch (2.4) Duckbill Check- Fibers
WEIGHT - LBS. (Kg):	7.2 (3.3) Polypropylene 9.5 (4.3) Kynar® (PVDF)
MAX. DRY SUCTION LIFT:	10 ft. (Teflon fitted)

# Dimensional Data

3-Piece Manifold



Single Piece Manifold



# Accessories

## Recommended Filter/Regulator (See Page 37)

Filter / Regulator: P29122-600

For complete airline connection kit, see page 34, item "B". Pulsation Dampener, see page 24.



P29122-600

For Diaphragm Pump Accessories see pages 34-36.

For recommended key models, refer to the ARO diaphragm pump price book (Form 2240-2). If the specific model you seek is not in the price book, consult the factory for further selection assistance.

# Ordering

Best Selling Models | 66605J-388, 66605J-3EB, 66605J-344, 66605K-444

All hardware is 300 Series Stainless Steel.

Base Model	Air Motor	Wetted Parts	Check Valve Seats	Ball Check/ Diaphragm
6 6 6 0	5	X	X	X
1/2" Pump	Polypropylene	J* Polypropylene K* Kynar (PVDF) 3 Polypropylene 7 Kynar (PVDF)	2 Stainless Steel 3 Polypropylene 4 Kynar (PVDF) 6 Acetal 0 Duckbill	22 Nitrile/Nitrile 33 Viton/Viton 44 Teflon/Teflon 88 Polyurethane/Polyurethane EB Santoprene/Santoprene D2 Nitrile/Nitrile A4 Stainless/Teflon

\* Single piece manifold